

DUST CONTROL FOR TISSUE CONVERTING MACHINES



The production of high specification soft tissue paper involves:

- High speed transfer
- Embossing and perforation processes



Due to these processes and the low density of fibres dust becomes a significant issue with regard to

- Fire risk
- Operator health and Workplace Exposure Limits
- General hygiene of plant and cleanliness



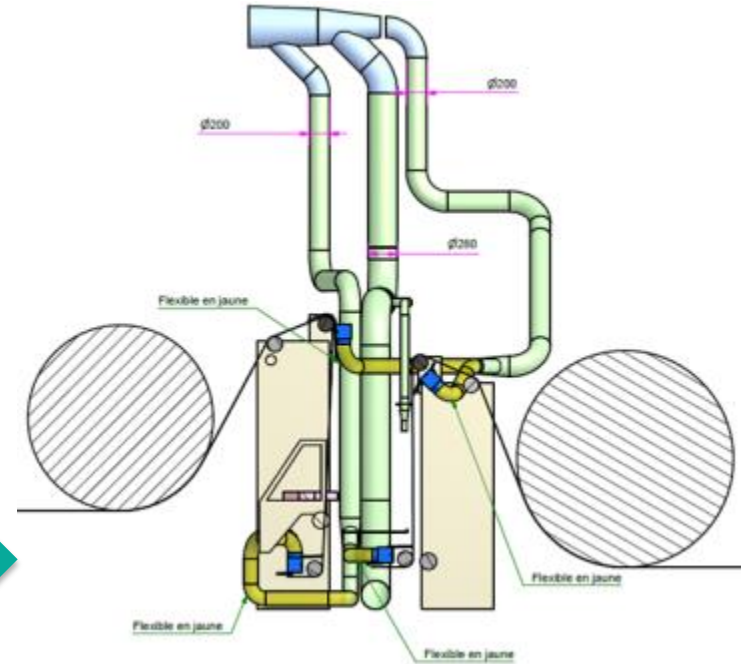
DUST CONTROL FOR TISSUE CONVERTING MACHINES

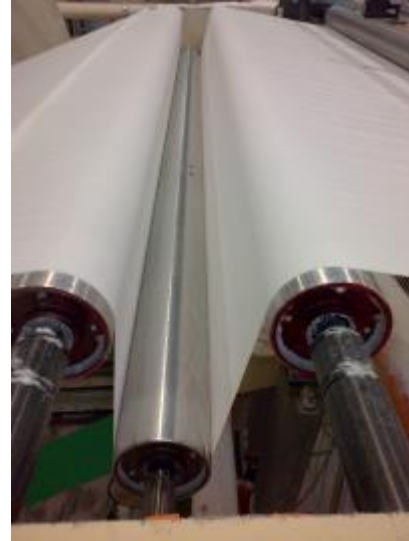
- Capture of dust
- Special hood design
- Aspiration reduced 50% upon detection of machine breaks and production setting
- Airflows between 20 000 et 28 000 m³/h

DUST CONTROL FOR TISSUE CONVERTING MACHINES

- Combination of the following LEV hood design concepts
 - Containment
 - Entrainment
 - Capture

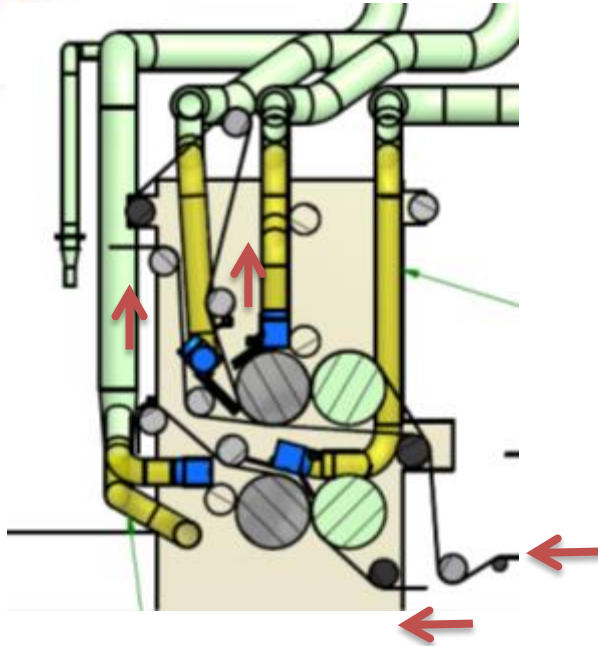
Example: Unwinder
4 collecting hoods, total airflow
of 10 000 m³/h





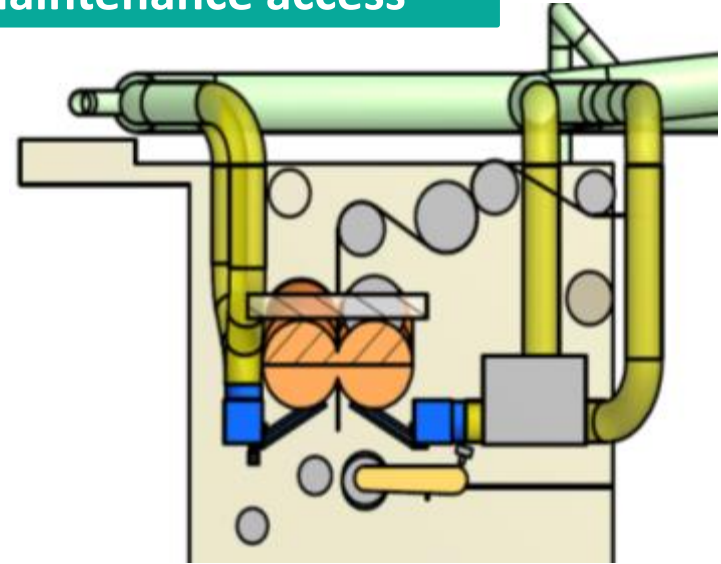
UNWINDING

DUST CONTROL FOR TISSUE CONVERTING MACHINES



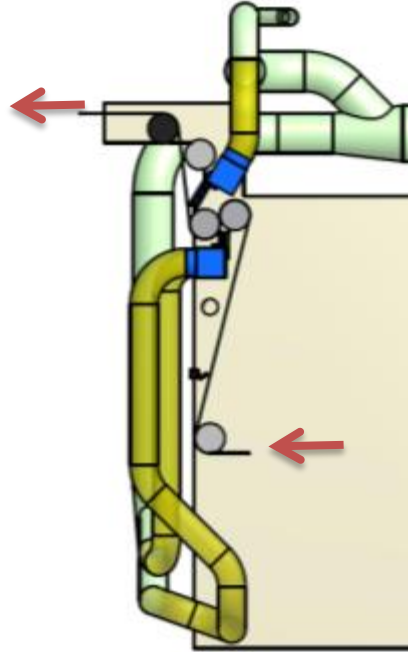
Embossing station: 4 collecting hoods, total airflow of 10 000 m³/h

Easy maintenance access

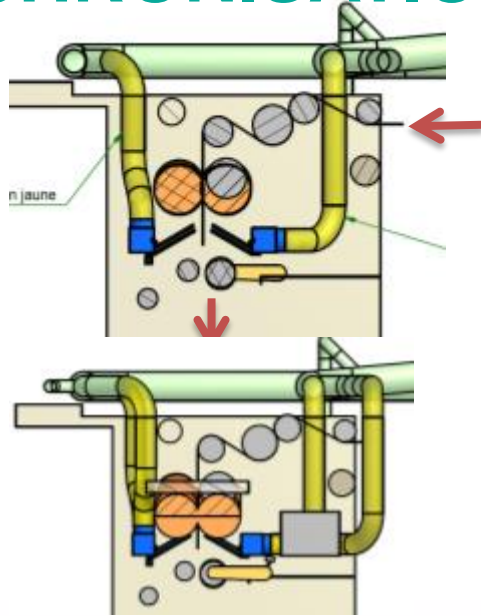


Synchronisation: 2 hoods, total airflow of 5 000 m³/h

ASSEMBLING

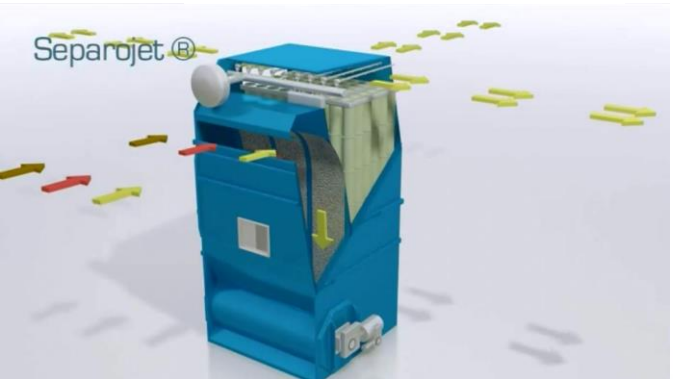


SYNCHRONISATION





OUR PRODUCTS RANGE



Improving air quality in the industrial environment



APPLICATIONS/REFERENCES

Delipapier (France)

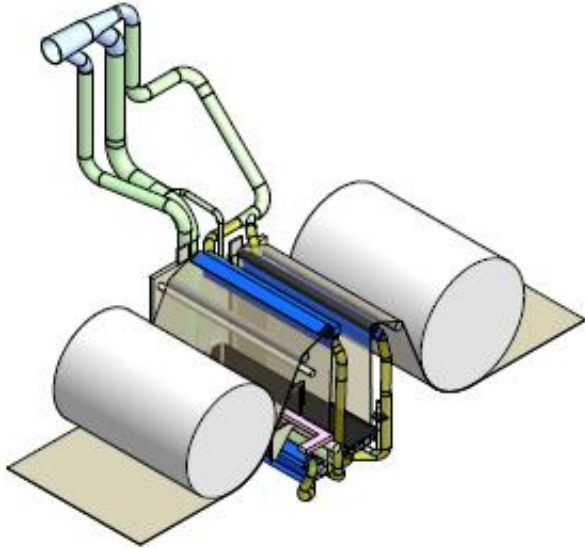


Improving air quality in the industrial environment

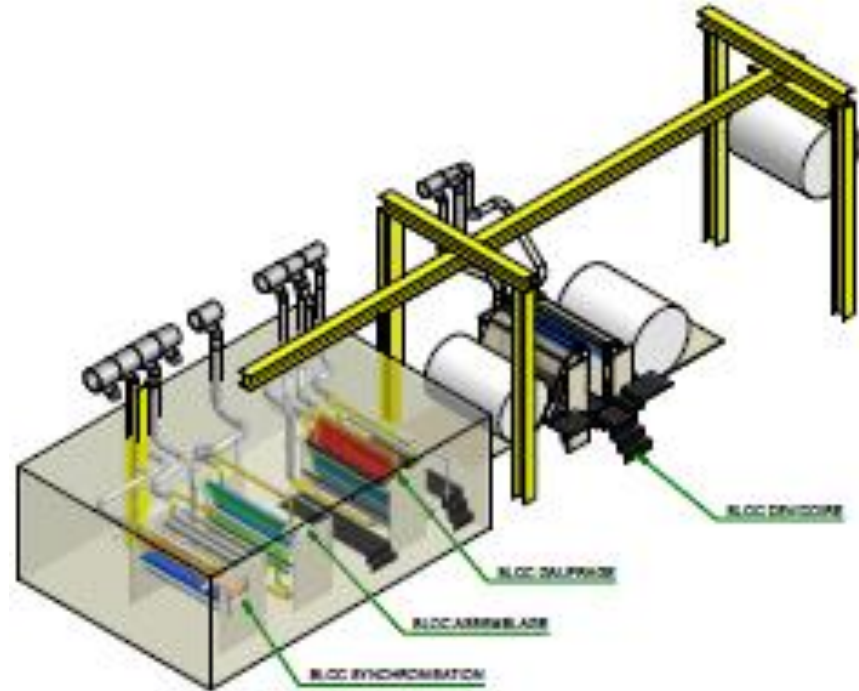
Compacting process after dust collector



Dedusting system for dust removal in Tissue factory

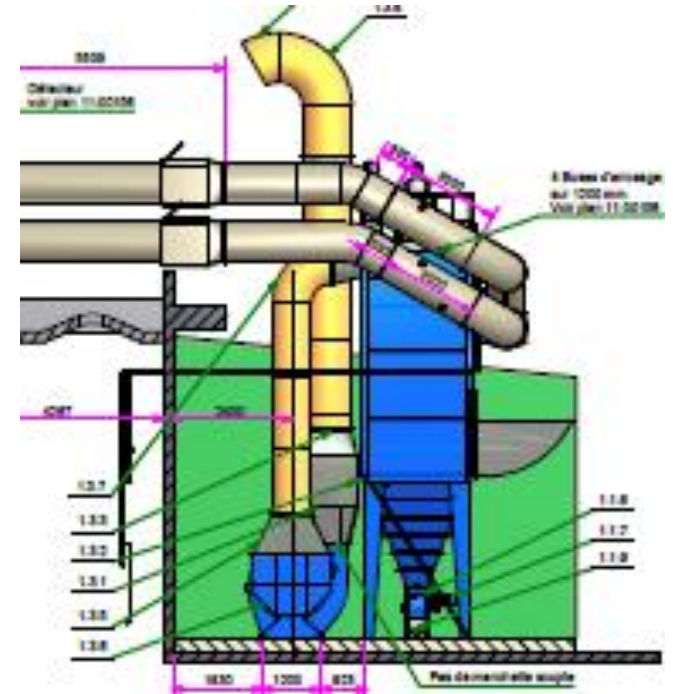
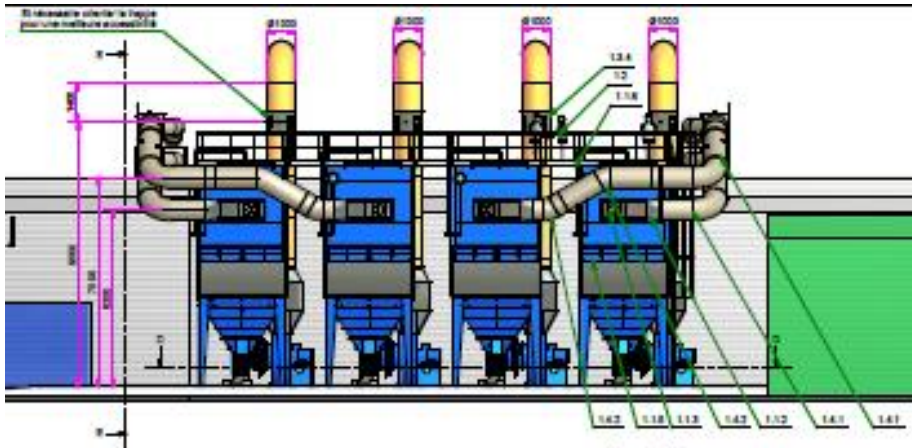


APPLICATIONS/REFERENCES



ATEX Dedusting system for dust removal in Tissue factory

APPLICATIONS/REFERENCES





CUSTOMERS

SOFAPLAST



Improving air quality in the industrial environment

Why Delta Neu?



- DELTA NEU GROUP expertise in dust control
- Understanding of ATEX regulations
- Design and implementation of turn-key solutions
- 157 employees at your service
- A design department
- A test and training centre for air technologies



ISO 9001 Certification

- Design and manufacture of airflow equipment in the DELTA NEU range
- supervision of airflow systems for our agencies in the areas of industrial ventilation, dust extraction, filtration, pneumatic waste transfer and other applications.
- Service and maintenance



- **ISO 14001 Certification**
- **OHSAS 18001 Certification**

Local organisation & Customer Service



11 sites in France

Neu air technologies test and training centre



1 factory
(FEVI fan manufacturing)



**DELTA NEU
SHANGHAI AIR
TECHNOLOGY Co, Ltd**

4 subsidiaries

**DELTA NEU LIMITED
(United-Kingdom)**

Export team of 36 persons

**DELTA NEU
BENELUX**

**Sales representatives & Agents
network worldwide**

DELTA NEU MAROC



- Original replacement parts
- Installation upgrade offers
- Operators who received ongoing training for maintenance, control, upgrades,...



- Training courses in the air techniques:
 - > Fans, dust control, airflow measurement, pneumatic conveying, ATEX...



Visit our website deltaneu.com